

# MONUMENT SIGNS

**DISTINCTIVE  
EYE CATCHING  
DURABLE**

Experience the best of both worlds.  
Unmatched durability in a lightweight structure.

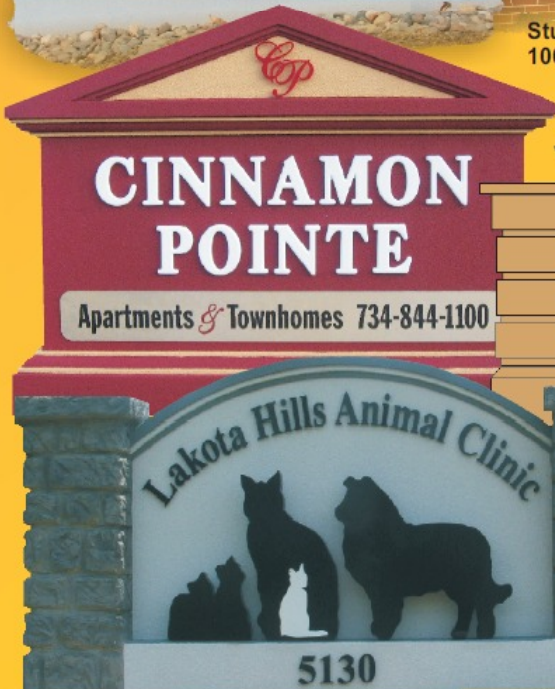
The foam core monument sign offers businesses more....

- Will not rust, peel or delaminate.
- Resistant to rot, termites and moisture.
- Superior damage & impact resistance.
- Tested & approved to withstand 180 MPH winds.
- No on-site construction or heavy equipment required.
- Unlimited Color & Design Options.
- 5 Year Guarantee



Stucco Finish Texture is 100% aggregated acrylic

## 'INSIDE' A MONUMENT



Proprietary hard coat provides a protective shell offering superior impact resistance

Durable, lightweight foam core is made of expanded polystyrene (EPS)

PVC Liner bonded into structure

**PROFESSIONAL BUILDINGS      PLACES OF WORSHIP  
APARTMENTS**



Faux Stone to match your building!

## MONUMENT GRAPHICS

- Make your monument sign stand out with an LED Message Center, Dimensional Letters or an Interchangeable Copy Board.
- Virtually Vandal-Proof "in-sign" graphics.

**56 Standard Monument Sign Models to Choose From**

Email [brandi@parhamshop.com](mailto:brandi@parhamshop.com) or call 706-498-2063 for a quote.



# Monument Standard Models 1-8

Versatile & Long Lasting, Precision Cut & Coated, Sprayed Stucco Finish, Cost Effective  
 Optional HDU Sign Panels Available (with Simulated Sandblast or Woodgrain Texture)  
 Email [brandi@parhamshop.com](mailto:brandi@parhamshop.com) or call 706-498-2063 for a quote.



*Standard Model #1*  
 Size: 6' 6" x 7' 6"  
 Overall Sq/Ft: 48.75  
 Date: 5/10/99  
 Scale: 3/16" = 12"

End View      Front and Back View

6' 6" radius

6'-6"

1'-4"

7'-6"

*Standard Model #2*  
 Size: 5' 0" x 9' 0"  
 Overall Sq/Ft: 45  
 Date: 5/10/99  
 Scale: 3/16" = 12"

End View      Front and Back View

1'-9"

9'-0"

5'-0"

*Standard Model #3*  
 Size: 5' 6" x 11' 0"  
 Overall Sq/Ft: 60.5  
 Date: 5/10/99  
 Scale: 3/16" = 12"

End View      Front and Back View

1'-4"

11'-0"

5'-6"

*Standard Model #4*  
 Size: 8' 0" x 6' 0"  
 Overall Sq/Ft: 48  
 Date: 5/10/99  
 Scale: 3/16" = 12"

End View      Front and Back View

1'-2"

6'-0"

8'-0"

48" radius

*Standard Model #5*  
 Size: 7' 3" x 10' 0"  
 Overall Sq/Ft: 72.5  
 Date: 5/10/99  
 Scale: 3/16" = 12"

End View      Front and Back View

1'-8"

10'-0"

7'-3"

*Standard Model #6*  
 Size: 9' 0" x 7' 0"  
 Overall Sq/Ft: 63  
 Date: 5/10/99  
 Scale: 3/16" = 12"

End View      Front and Back View

1'-0"

7'-0"

9'-0"

48" radius

*Standard Model #7*  
 Size: 5' 0" x 10' 0"  
 Overall Sq/Ft: 50  
 Date: 5/10/99  
 Scale: 3/16" = 12"

End View      Front and Back View

1'-0"

10'-0"

5'-0"

*Standard Model #8*  
 Size: 8' 0" x 6' 6"  
 Overall Sq/Ft: 52  
 Date: 5/10/99  
 Scale: 3/16" = 12"

End View      Front and Back View

1'-0"

6'-6"

8'-0"

48" radius

# Monument Standard Models 9-16

Versatile & Long Lasting, Precision Cut & Coated, Sprayed Stucco Finish, Cost Effective  
 Optional HDU Sign Panels Available (with Simulated Sandblast or Woodgrain Texture)  
 Email [brandi@parhamshop.com](mailto:brandi@parhamshop.com) or call 706-498-2063 for a quote.



*Standard Model #9*  
 Size: 8' 0" x 6' 0"  
 Overall Sq/Ft: 48  
 Date: 5/10/99  
 Scale: 3/16" = 12"

*Standard Model #10*  
 Size: 5' 0" x 12' 0"  
 Overall Sq/Ft: 60  
 Date: 5/10/99  
 Scale: 3/16" = 12"

*Standard Model #11*  
 Size: 5' 0" x 10' 0"  
 Overall Sq/Ft: 50  
 Date: 5/10/99  
 Scale: 3/16" = 12"

*Standard Model #12*  
 Size: 5' 0" x 6' 0"  
 Overall Sq/Ft: 30  
 Date: 5/10/99  
 Scale: 3/16" = 12"

*Standard Model #13*  
 Size: 5' 0" x 10' 0"  
 Overall Sq/Ft: 50  
 Date: 5/10/99  
 Scale: 3/16" = 12"

*Standard Model #14*  
 Size: 6' 6" x 10' 7"  
 Overall Sq/Ft: 69  
 Date: 5/10/99  
 Scale: 3/16" = 12"

*Standard Model #15*  
 Size: 9' 5" x 13' 0"  
 Overall Sq/Ft: 122.5  
 Date: 5/10/99  
 Scale: 3/16" = 12"

*Standard Model #16*  
 Size: 10' 0" x 8' 0"  
 Overall Sq/Ft: 80  
 Date: 5/10/99  
 Scale: 3/16" = 12"

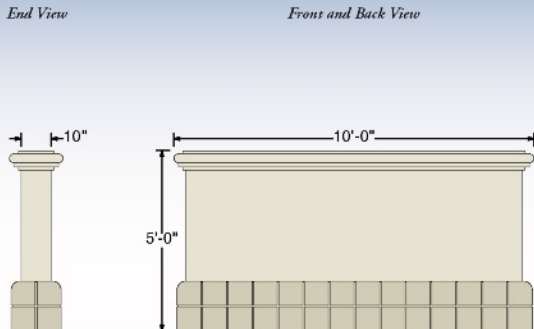
# Monument Standard Models 17-24

Versatile & Long Lasting, Precision Cut & Coated, Sprayed Stucco Finish, Cost Effective  
Optional HDU Sign Panels Available (with Simulated Sandblast or Woodgrain Texture)

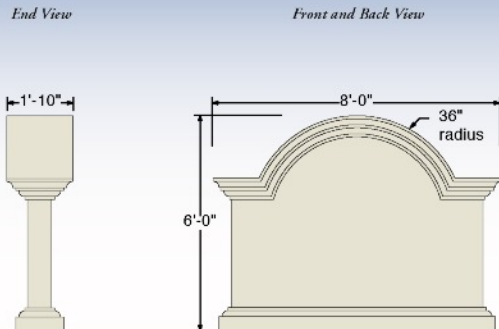
Email [brandi@parhamshop.com](mailto:brandi@parhamshop.com) or call 706-498-2063 for a quote.



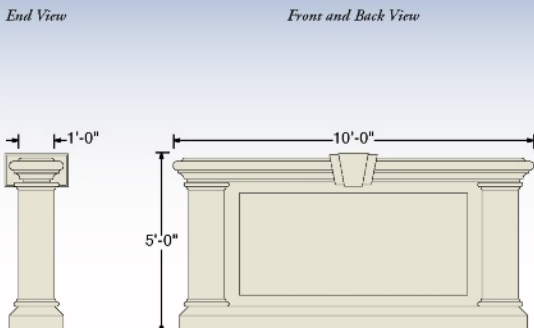
*Standard Model #17*  
Size: 5' 0" x 10' 0"  
Overall Sq/Fr: 50  
Date: 5/10/99  
Scale: 3/16" = 12"



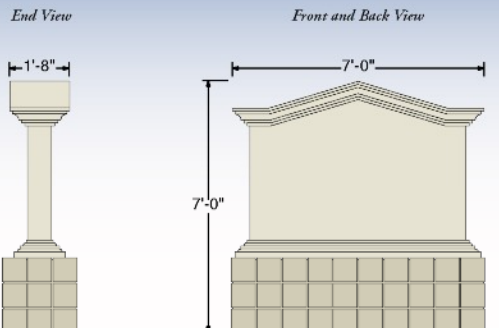
*Standard Model #18*  
Size: 6' 0" x 8' 0"  
Overall Sq/Fr: 48  
Date: 5/10/99  
Scale: 3/16" = 12"



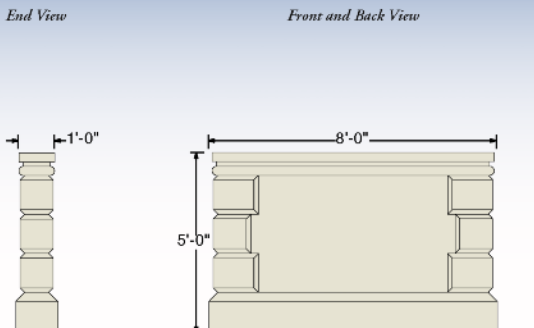
*Standard Model #19*  
Size: 5' 0" x 10' 0"  
Overall Sq/Fr: 50  
Date: 5/10/99  
Scale: 3/16" = 12"



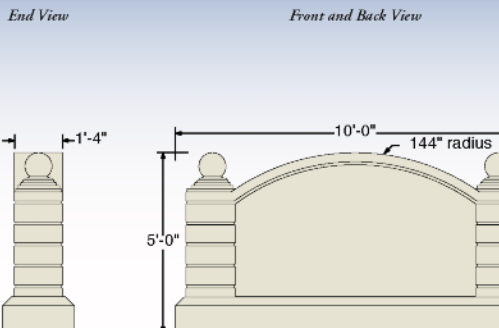
*Standard Model #20*  
Size: 7' 0" x 7' 0"  
Overall Sq/Fr: 49  
Date: 5/10/99  
Scale: 3/16" = 12"



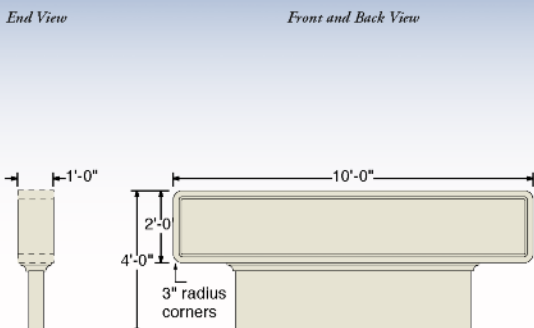
*Standard Model #21*  
Size: 5' 0" x 8' 0"  
Overall Sq/Fr: 40  
Date: 5/10/99  
Scale: 3/16" = 12"



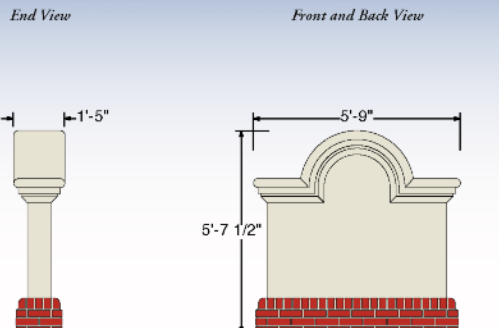
*Standard Model #22*  
Size: 5' 0" x 10' 0"  
Overall Sq/Fr: 50  
Date: 5/10/99  
Scale: 3/16" = 12"



*Standard Model #23*  
Size: 4' 0" x 10' 0"  
Overall Sq/Fr: 40  
Date: 5/10/99  
Scale: 3/16" = 12"



*Standard Model #24*  
Size: 5' 7-1/2" x 5' 9"  
Overall Sq/Fr: 32.5  
Date: 5/10/99  
Scale: 3/16" = 12"



# Monument Standard Models 25-32

Versatile & Long Lasting, Precision Cut & Coated, Sprayed Stucco Finish, Cost Effective  
 Optional HDU Sign Panels Available (with Simulated Sandblast or Woodgrain Texture)  
 Email [brandi@parhamshop.com](mailto:brandi@parhamshop.com) or call 706-498-2063 for a quote.



*Standard Model #25*  
 Size: 5' 0" x 11' 10"  
 Overall Sq/Ft: 59.2  
 Date: 7/31/2002  
 Scale: 3/16" = 12"

End View      Front and Back View

1'-4"      11'-10"      2' 6" radius  
 5'-0"

*Standard Model #26*  
 Size: 5' 7-1/2" x 13' 6"  
 Overall Sq/Ft: 76  
 Date: 7/31/2002  
 Scale: 3/16" = 12"

End View      Front and Back View

1'-9"      13'-6"      2' 10-1/2" radius  
 5'-7 1/2"

*Standard Model #27*  
 Size: 5' 7-1/2" x 7' 3"  
 Overall Sq/Ft: 41  
 Date: 7/31/2002  
 Scale: 3/16" = 12"

End View      Front and Back View

1'-9"      7'-3"      2' 10-1/2" radius  
 5'-7 1/2"

*Standard Model #28*  
 Size: 5' 4-1/2" x 8' 3"  
 Overall Sq/Ft: 44.35  
 Date: 7/31/2002  
 Scale: 3/16" = 12"

End View      Front and Back View

1'-2"      8'-3"      5'-4 1/2"

*Standard Model #29*  
 Size: 5' 0" x 8' 0"  
 Overall Sq/Ft: 40  
 Date: 7/31/2002  
 Scale: 3/16" = 12"

End View      Front and Back View

1'-0"      8'-0"      5'-0"

*Standard Model #30*  
 Size: 5' 0" x 10' 7"  
 Overall Sq/Ft: 53  
 Date: 7/31/2002  
 Scale: 3/16" = 12"

End View      Front and Back View

1'-3"      10'-7"      5'-0"

*Standard Model #31*  
 Size: 5' 4-1/2" x 8' 3"  
 Overall Sq/Ft: 44.35  
 Date: 7/31/2002  
 Scale: 3/16" = 12"

End View      Front and Back View

1'-4"      8'-3"      9' 0" radius  
 5'-4 1/2"

*Standard Model #32*  
 Size: 5' 0" x 6' 0"  
 Overall Sq/Ft: 30  
 Date: 7/31/2002  
 Scale: 3/16" = 12"

End View      Front and Back View

2'-4"      6'-0"      8' 9" radius  
 5'-0"

# Monument Standard Models 33-40

Versatile & Long Lasting, Precision Cut & Coated, Sprayed Stucco Finish, Cost Effective  
 Optional HDU Sign Panels Available (with Simulated Sandblast or Woodgrain Texture)  
 Email [brandi@parhamshop.com](mailto:brandi@parhamshop.com) or call 706-498-2063 for a quote.



*Standard Model #33*  
 Size: 5' 0" x 7' 0"  
 Overall Sq/Fr: 35  
 Date: 3/19/2003  
 Scale: 3/16" = 12"

End View      Front and Back View

1'-0"  
 7'-0"  
 7' 0" radius  
 5'-0"

*Standard Model #34*  
 Size: 6' 0" x 14' 6"  
 Overall Sq/Fr: 87  
 Date: 5/19/2003  
 Scale: 3/16" = 12"

End View      Front and Back View

10"  
 14'-6"  
 6'-0"

*Standard Model #35*  
 Size: 4' 7" x 9' 0"  
 Overall Sq/Fr: 41.25  
 Date: 5/19/2003  
 Scale: 3/16" = 12"

End View      Front and Back View

2'-0"  
 9'-0"  
 4'-7"

*Standard Model #36*  
 Size: 5' 3" x 8' 7"  
 Overall Sq/Fr: 45.1  
 Date: 5/19/2003  
 Scale: 3/16" = 12"

End View      Front and Back View

1'-0"  
 8'-7"  
 5'-3"

*Standard Model #37*  
 Size: 6' 4-1/2" x 7' 0"  
 Overall Sq/Fr: 44.63  
 Date: 5/19/2003  
 Scale: 3/16" = 12"

End View      Front and Back View

1'-8"  
 7'-0"  
 6'-4 1/2"

*Standard Model #38*  
 Size: 5' 0" x 8' 2"  
 Overall Sq/Fr: 40.84  
 Date: 5/19/2003  
 Scale: 3/16" = 12"

End View      Front and Back View

1'-0"  
 8'-2"  
 5'-0"

*Standard Model #39*  
 Size: 6' 0" x 9' 0"  
 Overall Sq/Fr: 54  
 Date: 5/19/2003  
 Scale: 3/16" = 12"

End View      Front and Back View

2'-10"  
 9'-0"  
 6'-0"

*Standard Model #40*  
 Size: 6' 4" x 12' 8"  
 Overall Sq/Fr: 69.67  
 Date: 5/19/2003  
 Scale: 3/16" = 12"

End View      Front and Back View

1'-0"  
 12'-8"  
 6'-4"

# Monument Standard Models 41-48

Versatile & Long Lasting, Precision Cut & Coated, Sprayed Stucco Finish, Cost Effective  
 Optional HDU Sign Panels Available (with Simulated Sandblast or Woodgrain Texture)  
 Email [brandi@parhamshop.com](mailto:brandi@parhamshop.com) or call 706-498-2063 for a quote.



Size: 8' 4" x 6' 1"  
 Overall Sq/Ft: 50.69  
 Date: 1/1/10  
 Scale: NTS

Square Columns

Standard Model #42  
 Size: 5' 8" x 7' 6"  
 Overall Sq/Ft: 42.5  
 Date: 1/1/10  
 Scale: NTS

Standard Model #43  
 Size: 6' 0" x 4' 6"  
 Overall Sq/Ft: 27  
 Date: 1/1/10  
 Scale: NTS

Standard Model #44  
 Size: 8' 0" x 6' 1"  
 Overall Sq/Ft: 48.66  
 Date: 1/1/10  
 Scale: NTS

Square Columns

Standard Model #45  
 Size: 5' 6" x 8' 6"  
 Overall Sq/Ft: 46.75  
 Date: 1/1/10  
 Scale: NTS

Square Columns

Standard Model #46  
 Size: 5' 7" x 8' 6"  
 Overall Sq/Ft: 47.5  
 Date: 1/1/10  
 Scale: NTS

Standard Model #47  
 Size: 7' 0" x 6' 8"  
 Overall Sq/Ft: 46.66  
 Date: 01/01/10  
 Scale: NTS

Square Columns

Standard Model #48  
 Size: 7' 6" x 8' 6"  
 Overall Sq/Ft: 55.25  
 Date: 1/1/10  
 Scale: NTS

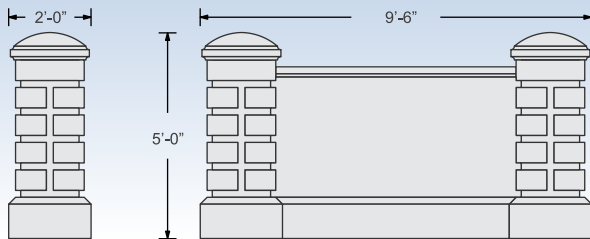
Square Columns

# Monument Standard Models 49-56

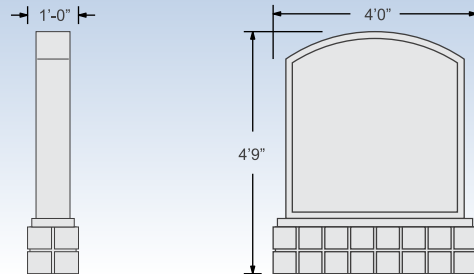
Versatile & Long Lasting, Precision Cut & Coated, Sprayed Stucco Finish, Cost Effective  
 Optional HDU Sign Panels Available (with Simulated Sandblast or Woodgrain Texture)  
 Email [brandi@parhamshop.com](mailto:brandi@parhamshop.com) or call 706-498-2063 for a quote.



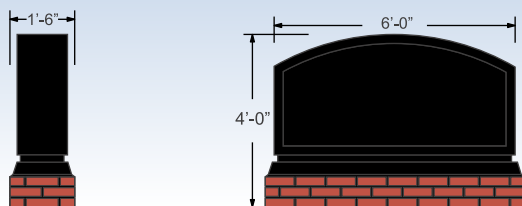
Standard Model #49  
 Size: 5'0" x 9' 6"  
 Overall Sq/Ft: 47.5  
 Date: 1/01/10  
 Scale: NTS



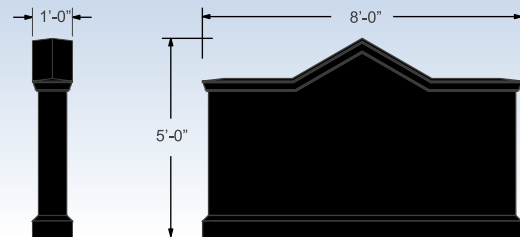
Standard Model #50  
 Size: 4'9" x 4' 0"  
 Overall Sq/Ft: 19  
 Date: 1/01/10  
 Scale: NTS



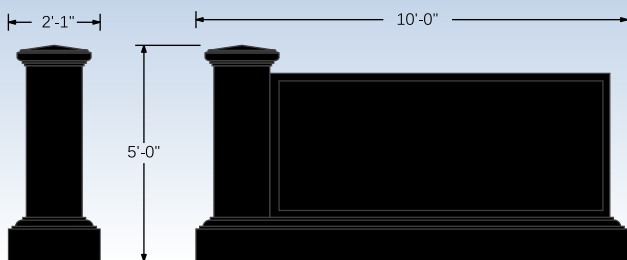
Standard Model #51  
 Size: 4' 0" x 6' 0"  
 Overall Sq/Ft: 24  
 Date: 1/01/10  
 Scale: NTS



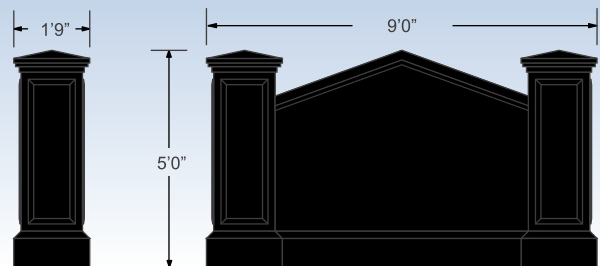
Standard Model #52  
 Size: 5' 0" x 8' 0"  
 Overall Sq/Ft: 40  
 Date: 1/01/10  
 Scale: NTS



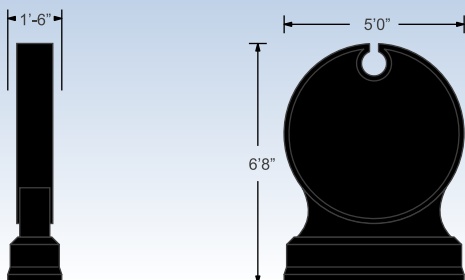
Standard Model #53  
 Size: 5' 0" x 10' 0"  
 Overall Sq/Ft: 50  
 Date: 1/01/10  
 Scale: NTS



Standard Model #54  
 Size: 5' 0" x 9' 0"  
 Overall Sq/Ft: 45  
 Date: 1/01/10  
 Scale: NTS



Standard Model #55  
 Size: 6' 8" x 5' 0"  
 Overall Sq/Ft: 33.33  
 Date: 1/01/10  
 Scale: NTS



Standard Model #56  
 Size: 6' 8" x 5' 0"  
 Overall Sq/Ft: 33.33  
 Date: 01/1/10  
 Scale: NTS

